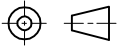


**SCREWTY
M12
FITTING**

SOURCE DRAWING - FOR REFERENCE ONLY

RELATED DOCUMENTS 1. NOTE 2. PRELIMINARY 3. SPECIFICATIONS 4.		3RD ANGLE PROJECTION 	THIS DRAWING IS CONFIDENTIAL AND THE PROPERTY OF TURCK INC. USE OF THIS DOCUMENT WITHOUT WRITTEN PERMISSION IS PROHIBITED.	3000 CAMPUS DRIVE MINNEAPOLIS, MN 55441 1-800-544-7769 (763) 553-7300 (763) 553-0708 fax www.turck.us	
MATERIAL SEE SPECIFICATIONS		ALL DIMENSIONS DISPLAYED ON THIS DRAWING ARE FOR REFERENCE ONLY	DRFT NF DATE 05/25/22	DESCRIPTION TOOL M12 TIP SCREWTY	
FINISH SEE SPECIFICATIONS			APVD	SCALE 1=.5	
		CONTACT TURCK FOR MORE INFORMATION	UNIT OF MEASUREMENT MILLIMETER [INCH]		IDENTIFICATION NO. A9581
			DO NOT SCALE THIS DRAWING		REV P1
			FILE: A9581		SHEET 1 OF 1

P1	DRAWING RELEASE PENDING	NF	05/25/22	
REV	DESCRIPTION	BY	DATE	ECO NO.